

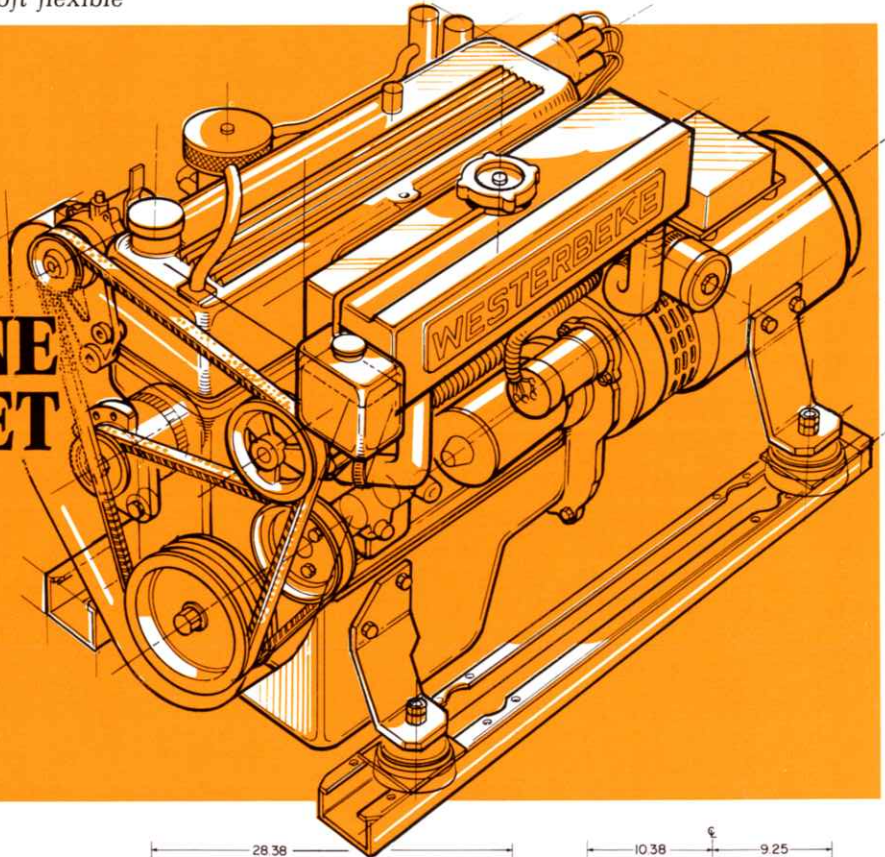
A new, quiet, smooth running marine power-plant from Westerbeke

A small, reliable, smooth running Generator Set for all your shipboard needs; electrical power at the turn of a switch for: Air Conditioning, Electric Cooking, Microwave Oven, Refrigeration, Cabin Appliances, Power Tools, and Navigation/Communication Equipment. Like all Westerbeke Generator Sets, it is fresh water cooled with an Engine mounted Heat Exchanger. The Engine and Generator are connected through special Drive Discs, Flywheel and Flywheel Housing into a compact carefully aligned Generator Set. The complete unit is mounted on lightweight rails through soft flexible

Isolator Mounts that prevent the transfer of vibration. A lightweight removable Drip Tray is fitted under the unit between the mounting rails. The generator components meet the safety regulations of U.S. Coast Guard 33 CFR-183.

The Westerbeke 11 is lightweight, safe, dependable, durable, and economical to operate. Designed to operate at a quiet 1800 RPM, the Westerbeke 11 offers 4 cylinder, 4 cycle smoothness to provide electrical conveniences usually found only on large boats.

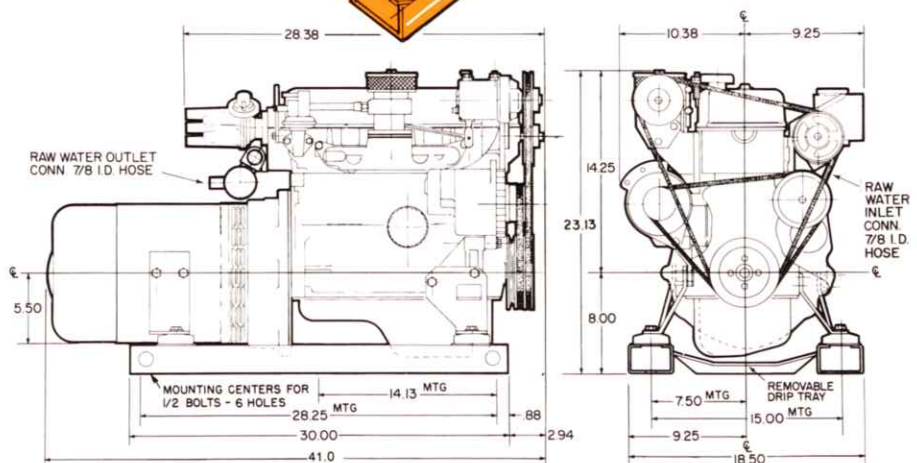
WESTERBEKE 11KW GASOLINE MARINE ENGINE GENERATOR SET



- SMOOTH AND QUIET FOUR CYLINDER PERFORMANCE
- ENCLOSED FRESH WATER COOLING
- AUTOMATIC SAFETY SHUT-DOWNS
- SIMPLE ENGINE AND GENERATOR CONTROLS FOR RELIABILITY

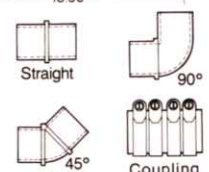
STANDARD EQUIPMENT

- Overspeed Shutdown
- High Water Temperature Shutdown
- Low Oil Pressure Shutdown
- High Exhaust Temperature Shutdown
- Vibration Isolator Mounts
- Lightweight Mounting Rails
- Flexible Fuel Supply Line
- Lifting Eyes
- Belt Guard
- Fresh Water Cooled Exhaust Manifold
- Raw Water Pump
- 51 Amp Alternator (Ignition Protected)
- Hoof Speed Governor
- Down Draft Carburetor
- Flame Arrestor (USCG Approved)
- Water Injected Elbow
- Water Injected Elbow
- Fresh Water Coolant Recovery Tank
- Tube Oil Drain Hose



OPTIONAL EQUIPMENT

- Remote Instrument Panel
- Remote Control Panel
- Ship/Shore Transfer Switch
- Hydro Hush Exhaust Silencer
- Hydro Hush Installation Accessories



GASOLINE GENERATORS: 6.5kw • 8kw • 11kw

Fresh Water Cooled Diesel and Gasoline Generators from Westerbeke

WESTERBEKE 11 KW MARINE GASOLINE GENERATOR

WESTERBEKE 11 KW

DESIGN: Four pole revolving armature, inherently regulated, self limiting, rectifier excited, A.C. slip rings, single bearing design.

VOLTAGE REGULATION: ± 7% no load to full load.

FREQUENCY REGULATION: 3 Hertz (5%) no load to full load.

INSULATION: Class F as defined by NEMA MGI-1.65

TEMPERATURE RISE: Within NEMA MGI-22.40 definition when operating @ full load.

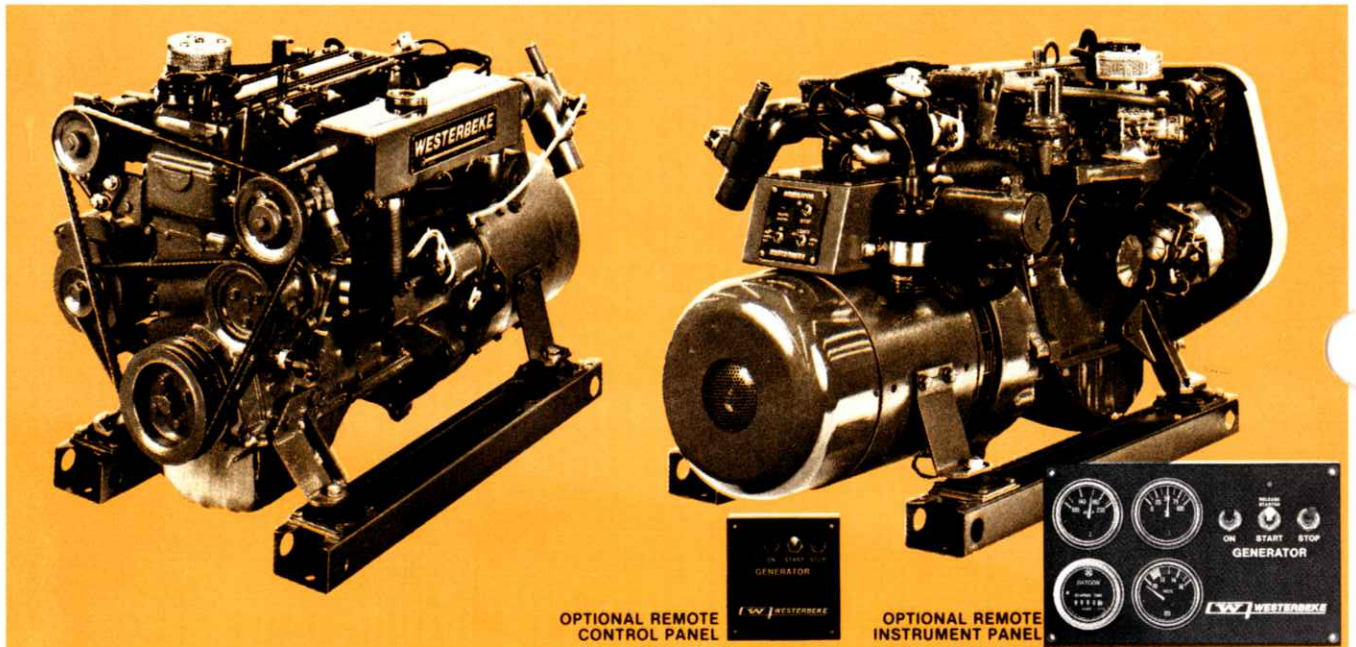
COOLING: Centrifugal blower, direct connected.

RADIO INTERFERENCE LEVEL: Capacitors minimize interference within the limits of most marine applications.

ARMATURE: Balanced laminated steel, double dipped and baked.

ELECTRICAL CHARACTERISTICS						RATINGS		DERATINGS	ENGINE	
Model	Volts	Amps	Hertz	Phase	Wire	Power Factor	KW		RPM	Start
11-614*	120/240	45.8	60	1	4	1.0	11	3.5% each 1000 feet above sea level. 1% for each 10° Fahrenheit above 85° Fahrenheit ambient. 10% for continuous duty.	1800	Remote
8.5-514*	120/240	35.4	50	1	4	1.0	8.5		1500	Remote

*Reconnectable to 120 Volts @ twice the amperage.



ENGINE

Engine type 4 cylinder, 4 cycle
 Displacement 79 C.I.
 Horsepower 21 @ 1800 RPM
 Compression ratio 9.2:1
 Fuel Gasoline
 Block Cast Iron
 Valve system Single overhead cam, chain driven
 Main bearings Five
 Carburetor Down draft type with U.S.C.G. approved flame arrestor
 Governor Hoof, flyball type, 5% speed regulation
 Ignition system Electronic
 Distributor Horizontal (to reduce height)
 Weight 563 lbs.
 Starting motor 12 volt negative ground
 Battery charging alternator 51 amps

From its overhead cam and rocker assembly and long lived electronic ignition to its rugged five main bearing crank shaft, our gasoline model engine is as modern as tomorrow. Now owners can cruise in quiet comfort knowing their electrical supply is dependable. Like all Westerbeke engines and generator sets, it is protected from corrosion by fresh water cooling.

CALL YOUR WESTERBEKE REPRESENTATIVE

OR CONTACT THE . . .



J. H. WESTERBEKE CORP.

AVON INDUSTRIAL PARK, AVON, MASS. 02322 • (617) 588-7700
 CABLE: WESTCORP, AVON • TELEX: 92-4444